

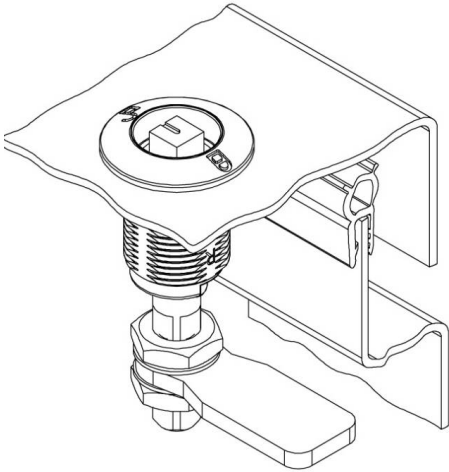


## **VERROU COMP. REGL. CARRE 8 G**

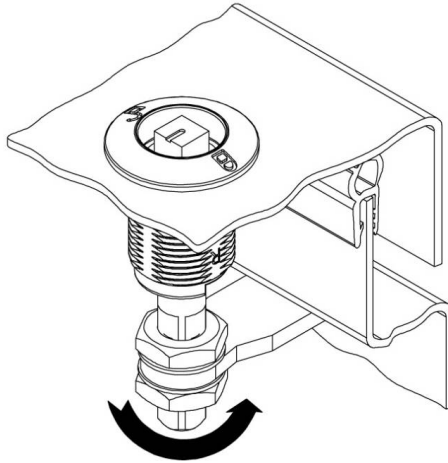
**81-7-8800**

<b>Poids (g)</b>	120 g
------------------	-------

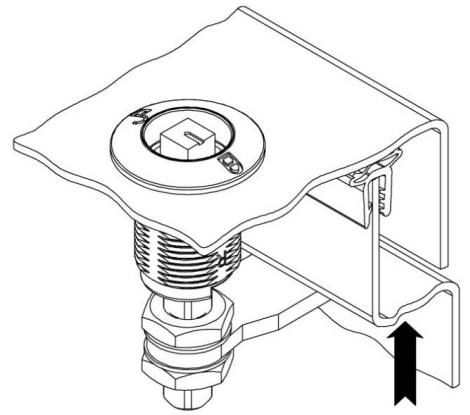
## Operation



open, unlatched position



First 90° rotation: the cam latches behind the frame into the locked position. The door cannot be opened.



A further 90° rotation will pull the already latched cam towards the frame: the seal is compressed, the door is latched and free of play.

## Compression Latch with Cam and Accessories

**248-92AA.00- X Y L CC**

**Insert version and Design:**

RH or LH  
see table a)

**Accessories on table a):**

0= without Accessories  
1= Serrated lock washer 840-6798.00-00023  
2= Dustcap 200-4103.00-00000  
3= Serrated lock washer + Dustcap

**Assembling of Cam:**

0= without Cam  
1= Cam not assembled (attached loose)

**length of Cam:**

0= without Cam  
1= L35  
2= L45

**Cranked Cam CC:**

see table b)