

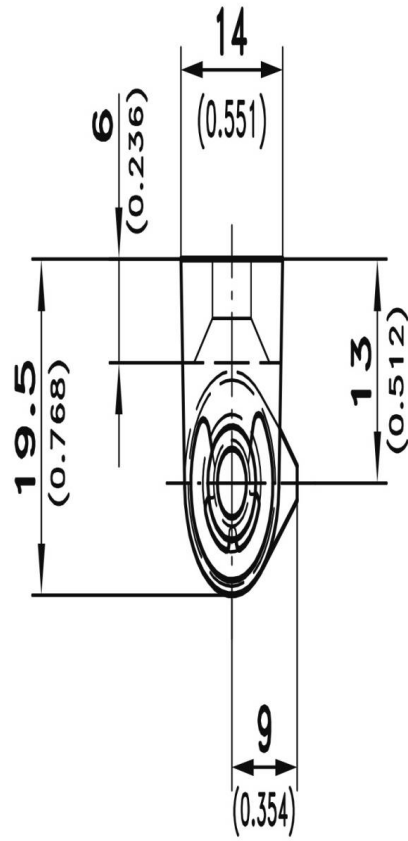
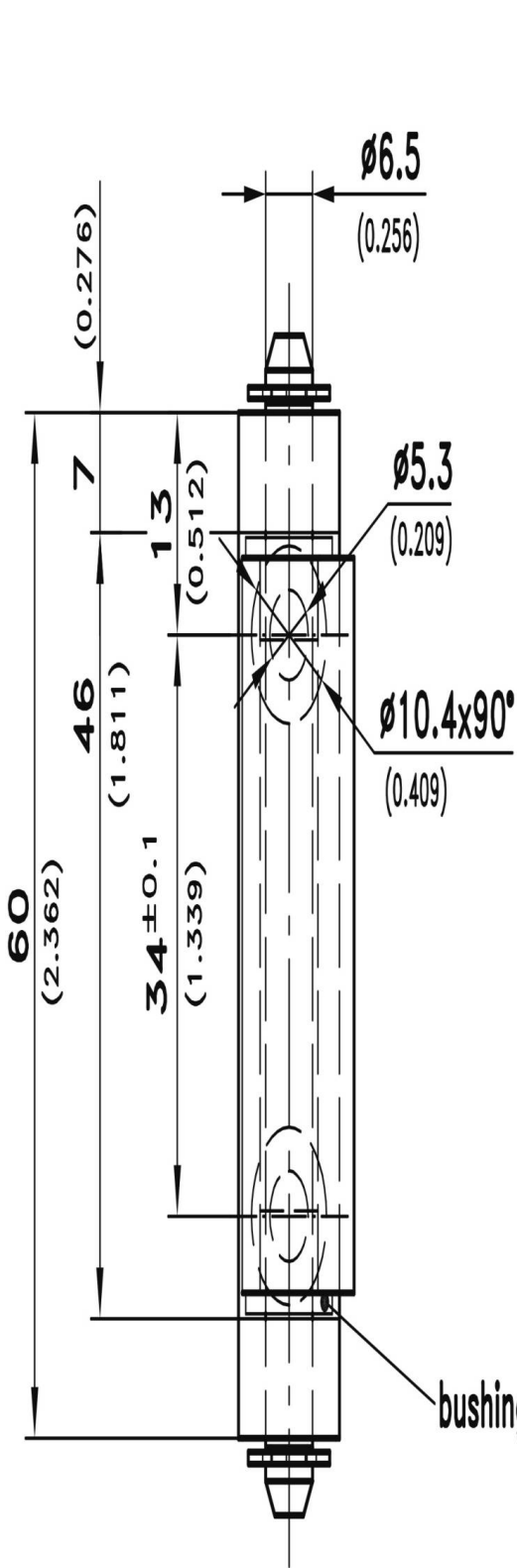


CHARNIERE A VISSER / SOUDER

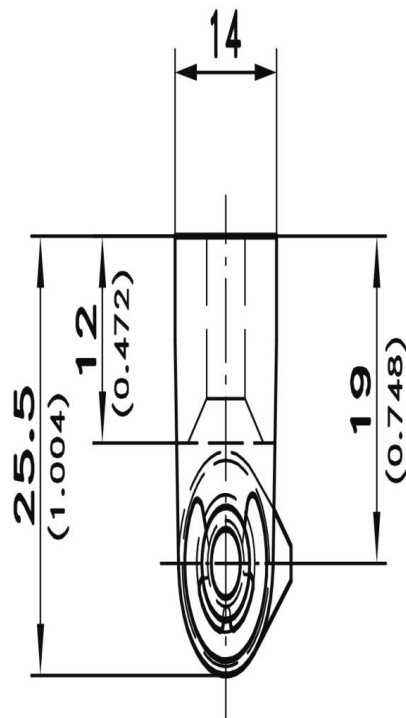
85-7-1063

Poids (g)	107 g
------------------	-------

Standard frame-part



Raised frame-part



Example of application

