

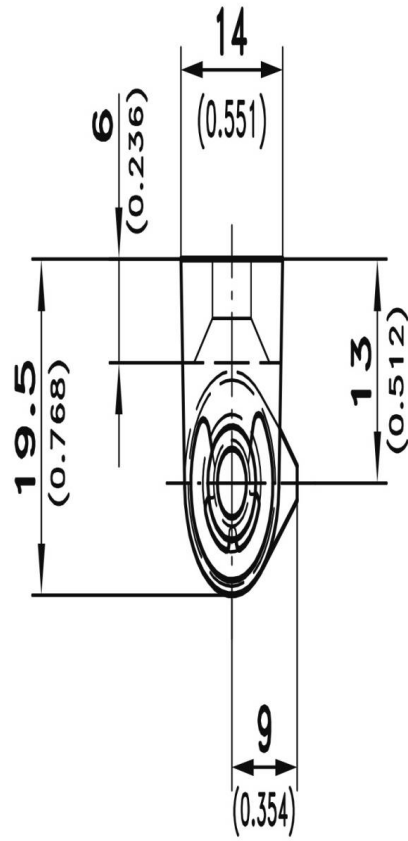
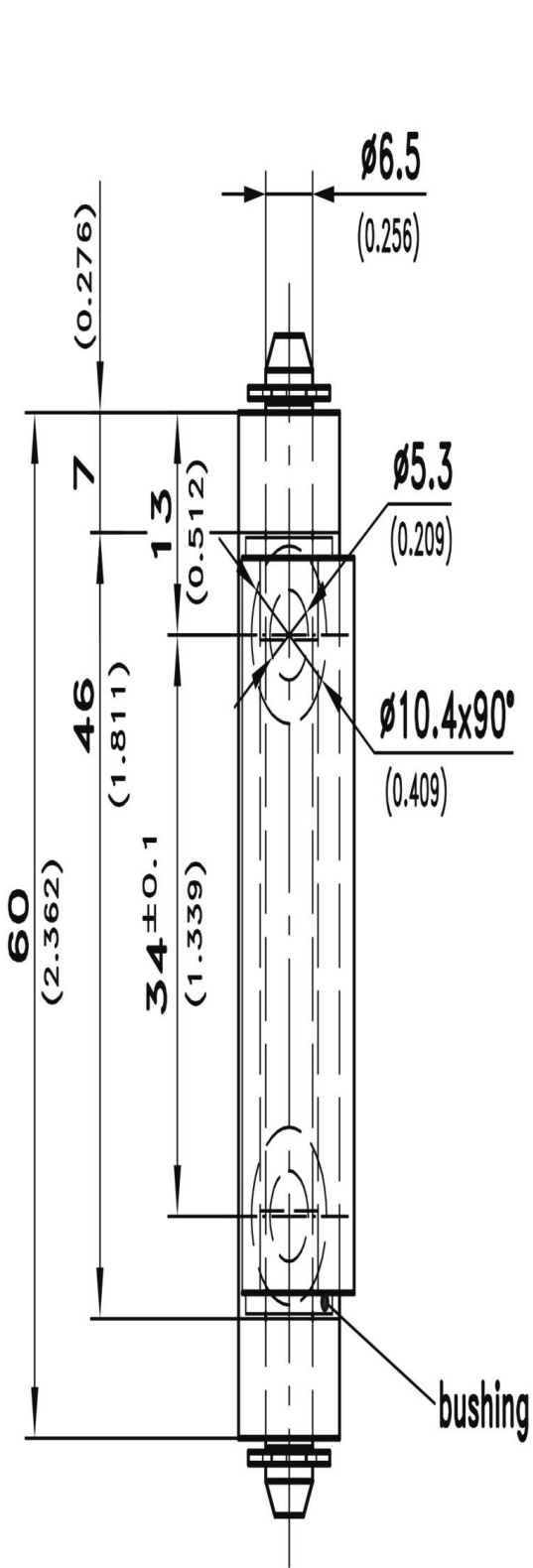


CH. NOIR VISSER/ SOUDER

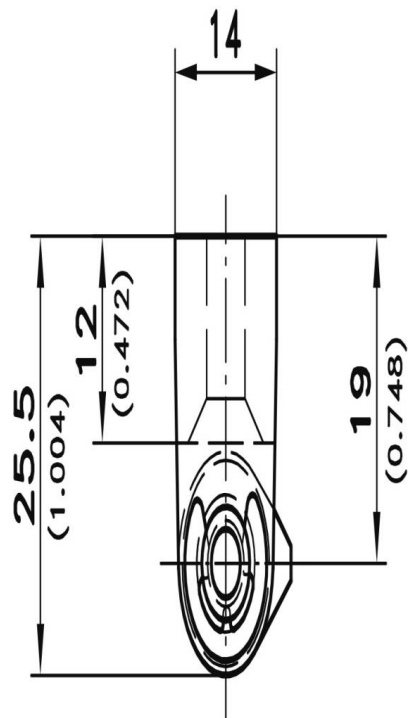
85-7-1062

Poids (g)	94 g
------------------	------

Standard frame-part



Raised frame-part



Example of application

