

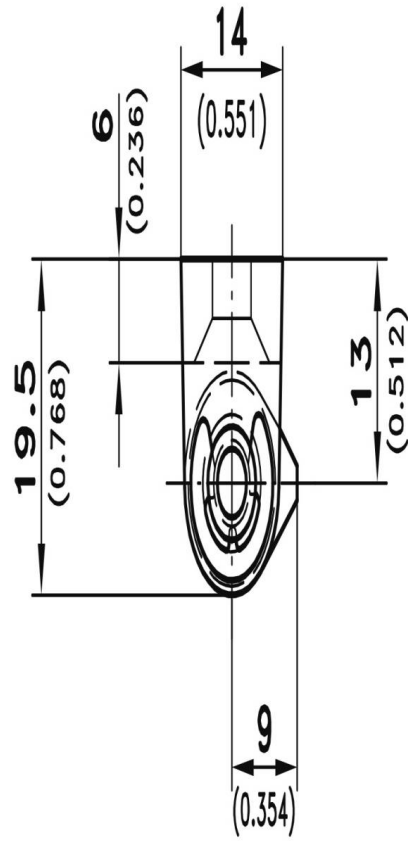
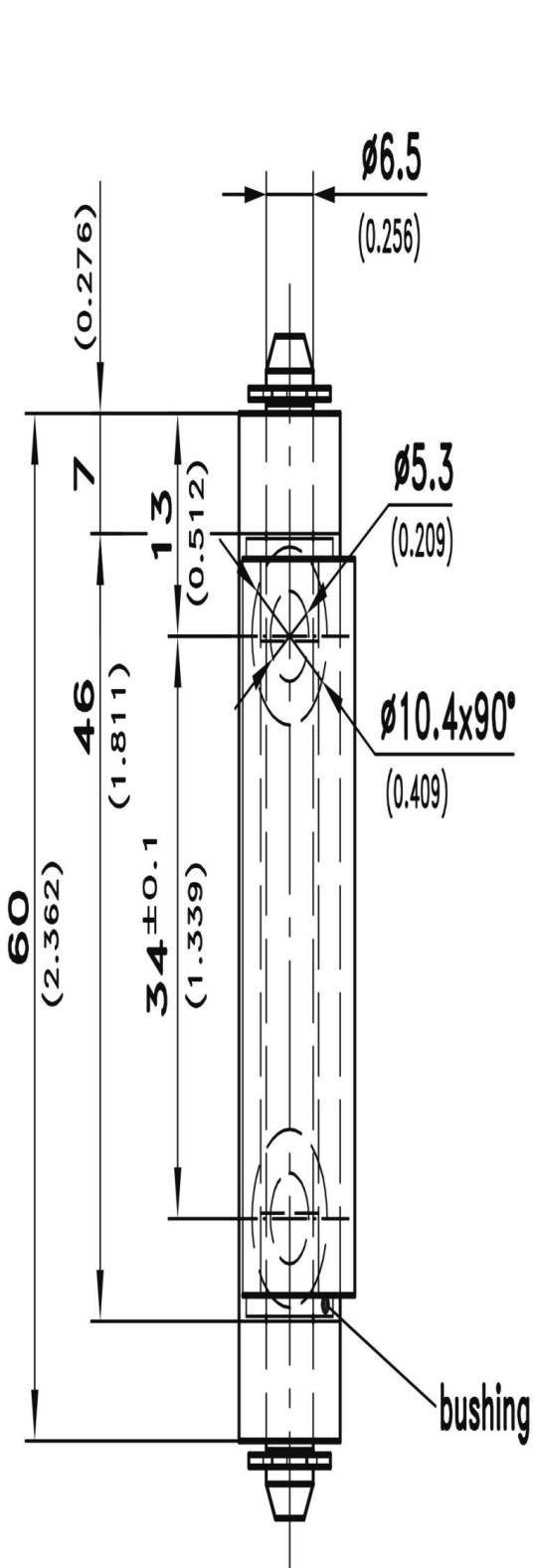


## **CHARNIERE A VISSER / SOUDER**

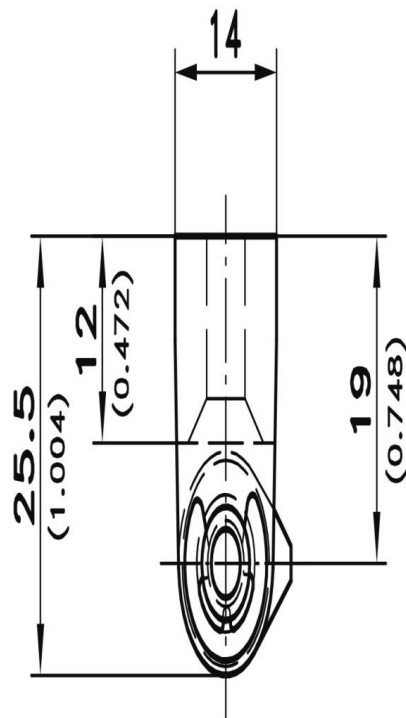
**85-7-1061**

<b>Poids (g)</b>	90 g
------------------	------

## Standard frame-part



## Raised frame-part



## Example of application

