



SPRING HINGES - ALUMINIUM PROFILE
0.70 N.M - DIAMETER 13

72-1-4326

Opening spring force:

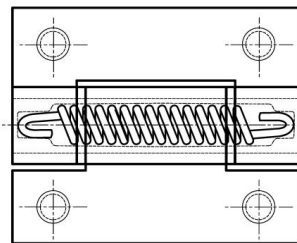
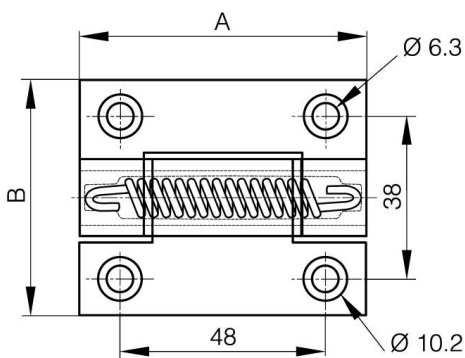
M(0°): 0.7 N.m / M(90°): 0.45 N.m / M(180°): 0.23 N.m

Closing spring force:

M(0°): 0.23 N.m / M(90°): 0.45 N.m / M(180°): 0.7 N.m

3 other versions available: free swinging, with friction or with detent mechanism.

A	67 mm
Note	opening spring / delivered flat / with M6 studs
Material	6060 T5 alu
Weight (g)	85 g
B	55 mm
C	4.5 mm
D (pin diameter)	13
Finish	black anodised
Nouvelle référence	NEW



72-1-4322 & 72-1-4325
72-1-4326 & 72-1-4335

