



SPRING HINGES - ALUMINIUM PROFILE
0.70 N.M - DIAMETER 13

72-1-4377

Opening spring force:

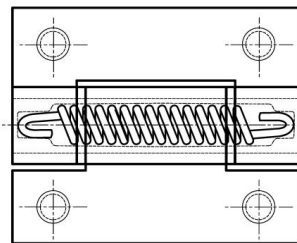
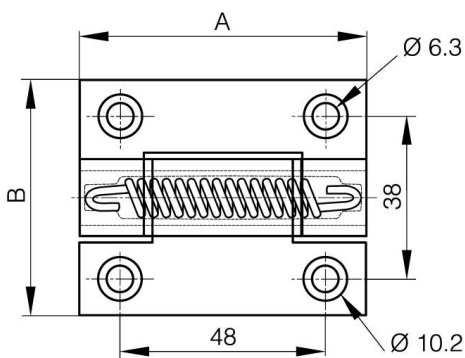
M(0°): 0.7 N.m / M(90°): 0.45 N.m / M(180°): 0.23 N.m

Closing spring force:

M(0°): 0.23 N.m / M(90°): 0.45 N.m / M(180°): 0.7 N.m

3 other versions available: free swinging, with friction or with detent mechanism.

| | |
|---------------------------|--------------------------------|
| A | 67 mm |
| Note | opening spring/ delivered flat |
| Material | 6060 T5 alu |
| Weight (g) | 66 g |
| B | 55 mm |
| C | 4.5 mm |
| D (pin diameter) | 13 |
| Finish | gold anodised |
| Nouvelle référence | NS |



72-1-4322 & 72-1-4325
72-1-4326 & 72-1-4335

