



CONCEALED HINGES WITH TWO CRANKED LEAVES - DRILLED - 120° OPENING - VERSION B

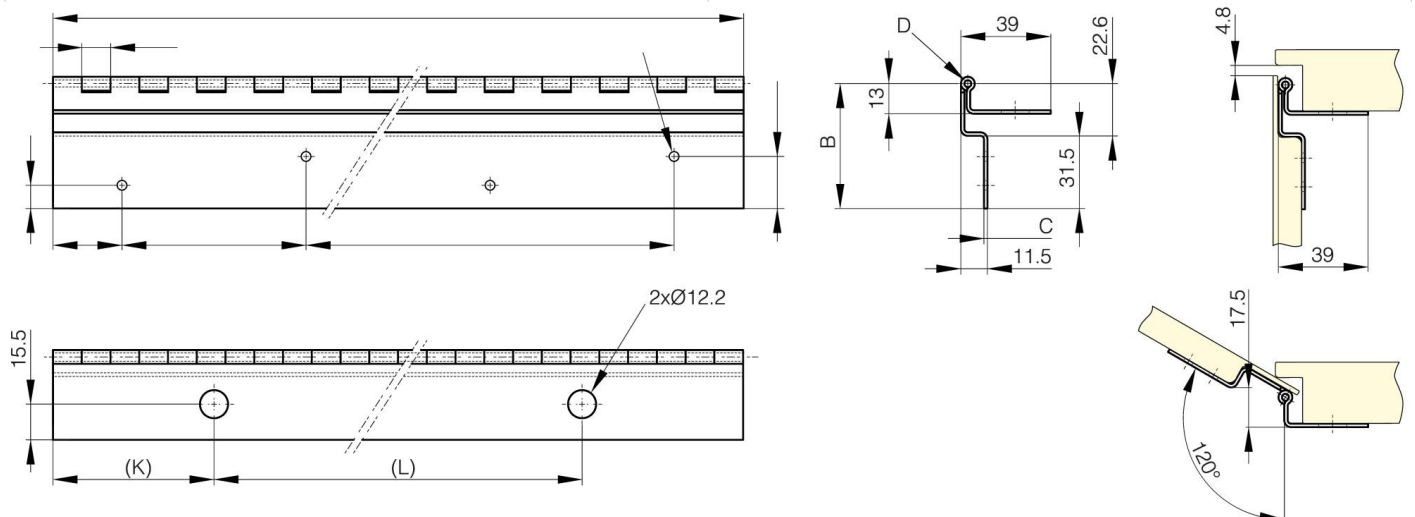
39-1-3890

Hinges for side door of baggage compartment (bus and coach, bodywork...)

Use rivets for 4.2 diameter holes (door side).

Use self-drilling screws for 12.2 diameter holes (frame side).

| | |
|-------------------------------------|---------------------|
| A | 300 mm |
| Material | 304 stainless steel |
| Weight (g) | 430 g |
| B | 54.1 mm |
| C | 1.5 mm |
| E (knuckle or thickness) | 12.5 mm |
| D (pin diameter) | 3 |
| G (pitch) | 160 mm |
| H (height or starting holes) | 30 mm |
| Finish | raw |
| J | 80 mm |
| L | 160 mm |



| | |
|----------|-------|
| K | 70 mm |
|----------|-------|