



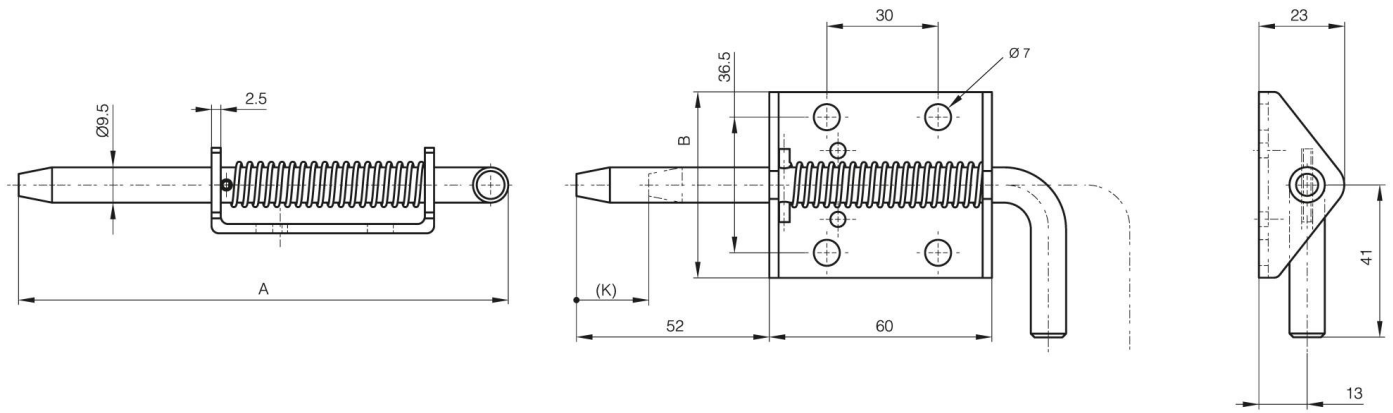
## **SPRINGLOADED BOLT**

**16-1-9026**

Heavy duty range. No stop when open.

<b>A</b>	132 mm
<b>Note</b>	no stop
<b>Material</b>	steel

<b>Weight (g)</b>	175 g
<b>B</b>	50 mm
<b>Finish</b>	zinc plated



<b>K</b>	17 mm
----------	-------