



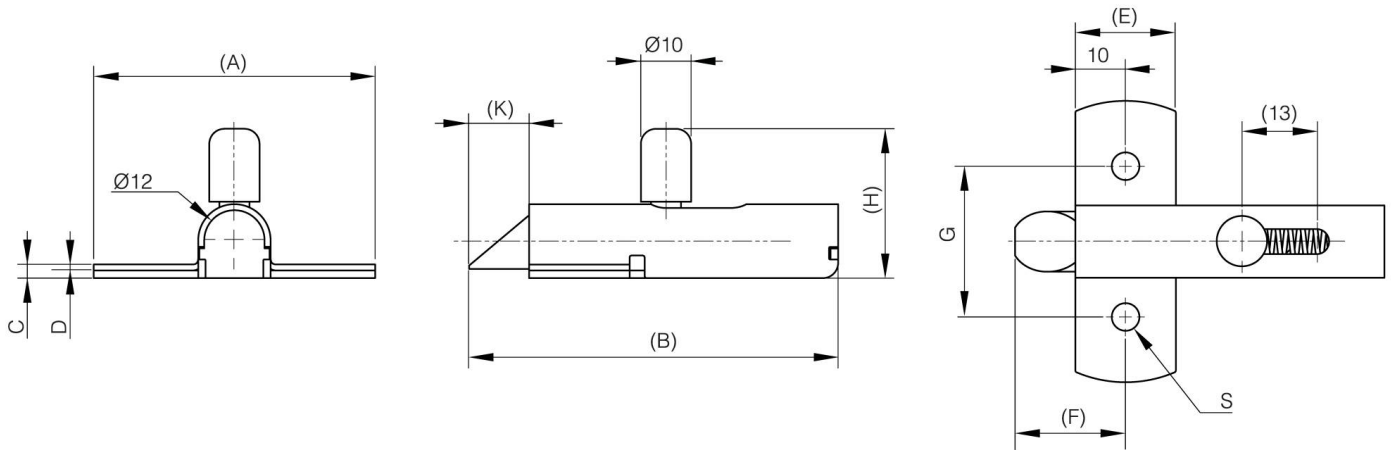
SLAM LATCH IN STAINLESS STEEL - BOLT "NOSE-DOWN"

16-1-4282

Stainless steel slam latch.

A	56 mm
Material	304 stainless steel

Weight (g)	87 g
B	73.5 mm
C	2.7 mm
S (hole diameter)	5.5 mm
E (knuckle or thickness)	20 mm
D (pin diameter)	1.2
F (pitch)	22 mm
G (pitch)	30 mm
H (height or starting holes)	29.7 mm
Finish	raw



K	12 mm
----------	-------