



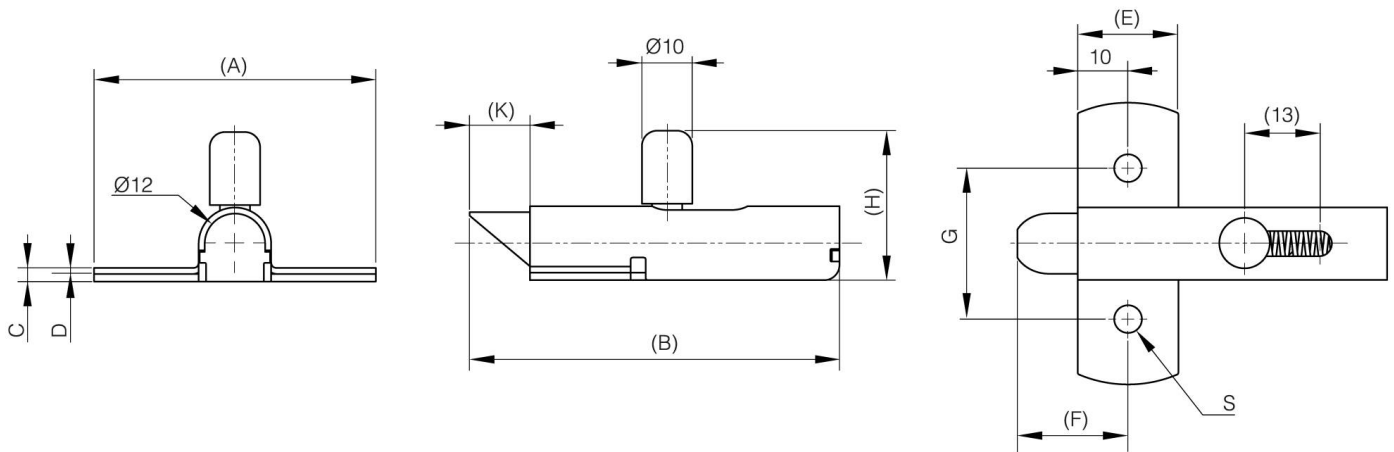
## **SLAM LATCH IN STAINLESS STEEL - BOLT "NOSE-UP"**

**16-1-4265**

Stainless steel slam latch.

<b>A</b>	56 mm
<b>Material</b>	304 stainless steel

<b>Weight (g)</b>	87 g
<b>B</b>	73.5 mm
<b>C</b>	2.7 mm
<b>S (hole diameter)</b>	5.5 mm
<b>E (knuckle or thickness)</b>	20 mm
<b>D (pin diameter)</b>	1.2
<b>F (pitch)</b>	22 mm
<b>G (pitch)</b>	30 mm
<b>H (height or starting holes)</b>	29.7 mm
<b>Finish</b>	raw



<b>K</b>	12 mm
----------	-------