



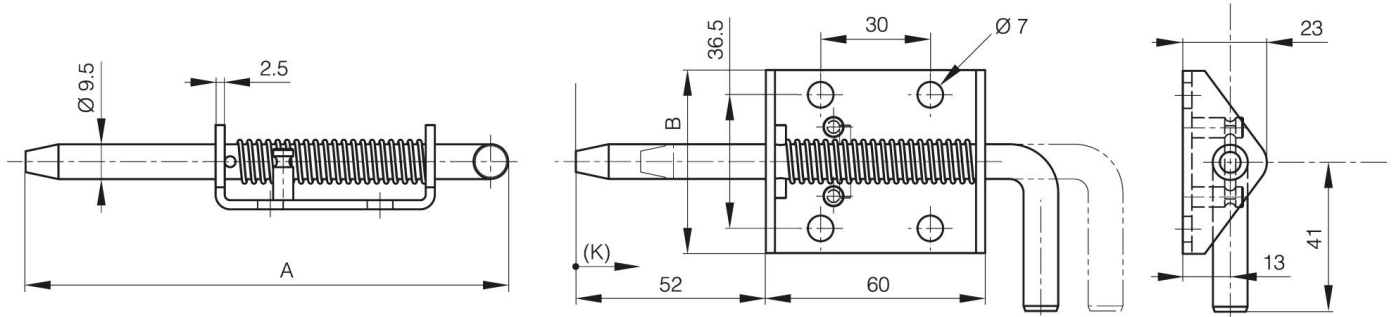
SPRINGLOADED BOLT WITH LOCKING SYSTEM B

16-1-9025

Heavy duty range. Stop when open.

A	132 mm
Material	304 stainless steel

Weight (g)	170 g
B	50 mm
Finish	raw



K	17 mm
----------	-------