



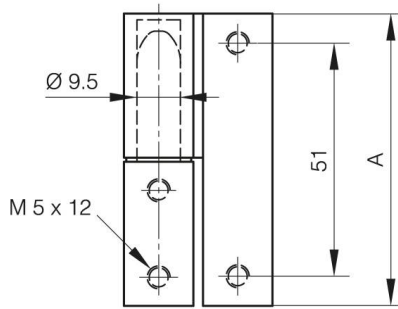
## **ZINC DIE-CAST LIFT-OFF HINGES 64 X 33 MM**

**72-1-9001**

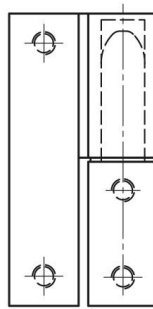
Nylon washer.

<b>A</b>	64 mm
<b>Note</b>	type 1

<b>Material</b>	zinc die-cast
<b>Weight (g)</b>	144 g
<b>B</b>	33 mm
<b>C</b>	17.5 mm
<b>Finish</b>	black



72-1-9001



72-1-9000

