



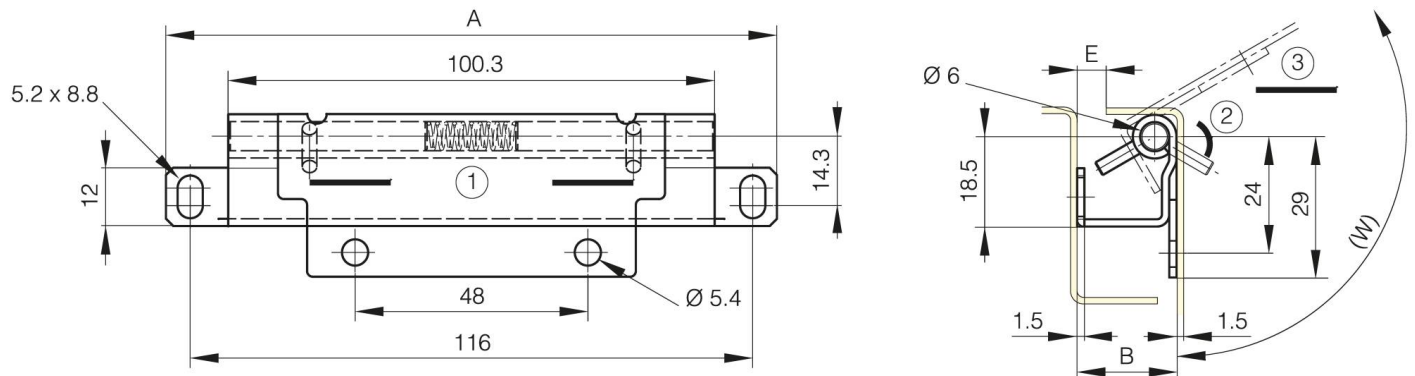
CONCEALED HINGES WITH RETRACTABLE PIN

62-1-9002

Quick-release concealed hinge for tool-free door removal with fixed retractable pin.

A	126 mm
Material	304 stainless steel

Weight (g)	105 g
B	23.9 mm
E (knuckle or thickness)	4.5 mm
Finish	raw



W (opening angle)	112° Degré
--------------------------	------------