



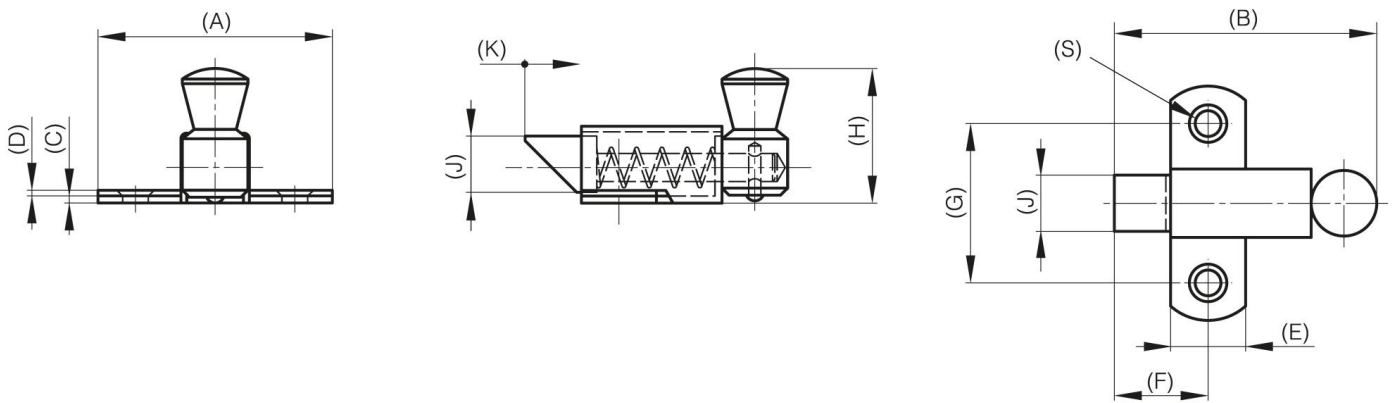
VISIBLE SPRINGLOADED LATCHES - BOLT "NOSE-UP"

16-1-3629

Slam latches.

| | |
|-----------------|-------|
| A | 50 mm |
| Material | brass |

| | |
|-------------------------------------|---------------|
| Weight (g) | 75 g |
| B | 56 mm |
| C | 1.5 mm |
| S (hole diameter) | 5.5 mm |
| E (knuckle or thickness) | 16 mm |
| D (pin diameter) | 1.2 |
| F (pitch) | 19 mm |
| G (pitch) | 34 mm |
| H (height or starting holes) | 29.5 mm |
| Finish | chrome plated |
| J | 12 mm |



| | |
|----------|-------|
| K | 11 mm |
|----------|-------|