



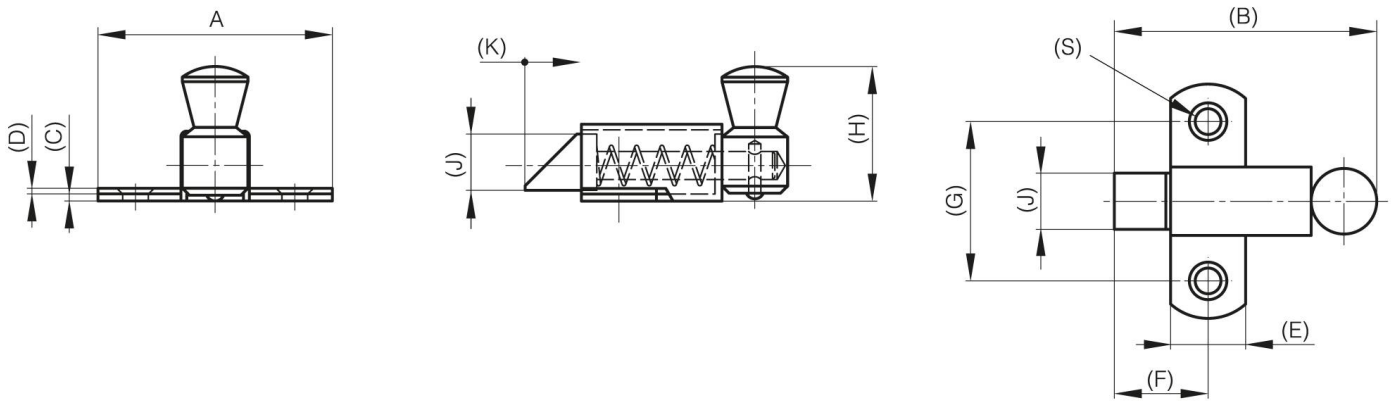
## **VISIBLE SPRINGLOADED LATCHES - BOLT "NOSE-DOWN"**

**16-1-3434**

Slam latches.

<b>A</b>	50 mm
<b>Material</b>	brass

<b>Weight (g)</b>	75 g
<b>B</b>	56 mm
<b>C</b>	1.5 mm
<b>S (hole diameter)</b>	5.5 mm
<b>E (knuckle or thickness)</b>	16 mm
<b>D (pin diameter)</b>	1.2
<b>F (pitch)</b>	20 mm
<b>G (pitch)</b>	34 mm
<b>H (height or starting holes)</b>	29 mm
<b>Finish</b>	chrome plated
<b>J</b>	12 mm



<b>K</b>	12 mm
----------	-------