



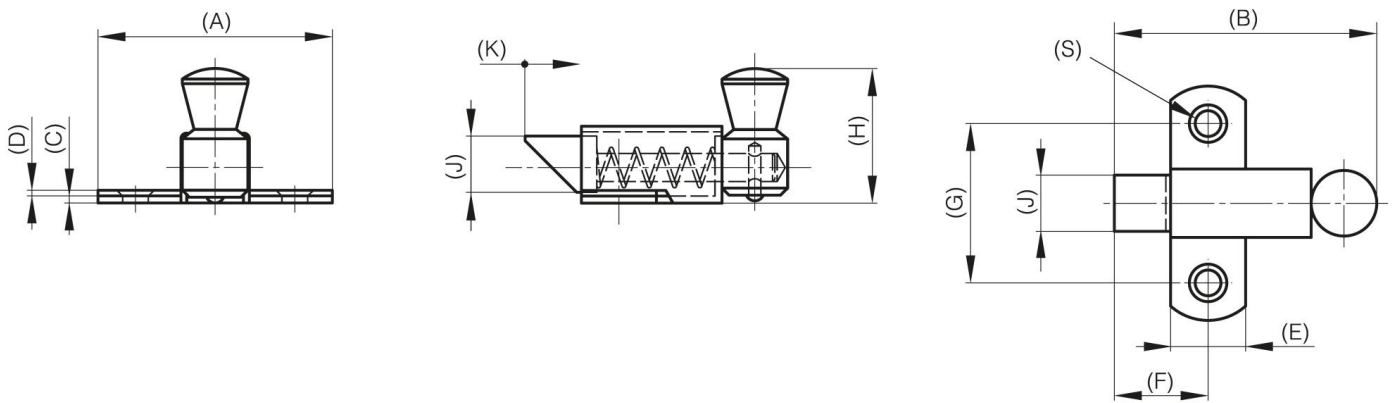
VISIBLE SPRINGLOADED LATCHES - BOLT "NOSE-UP"

16-1-3625

Slam latches.

A	35 mm
Material	steel

Weight (g)	20 g
B	36.5 mm
C	1.2 mm
S (hole diameter)	3.5 mm
E (knuckle or thickness)	11 mm
D (pin diameter)	1
F (pitch)	13.5 mm
G (pitch)	23 mm
H (height or starting holes)	19 mm
Finish	zinc plated
J	8 mm



K	8 mm
----------	------