



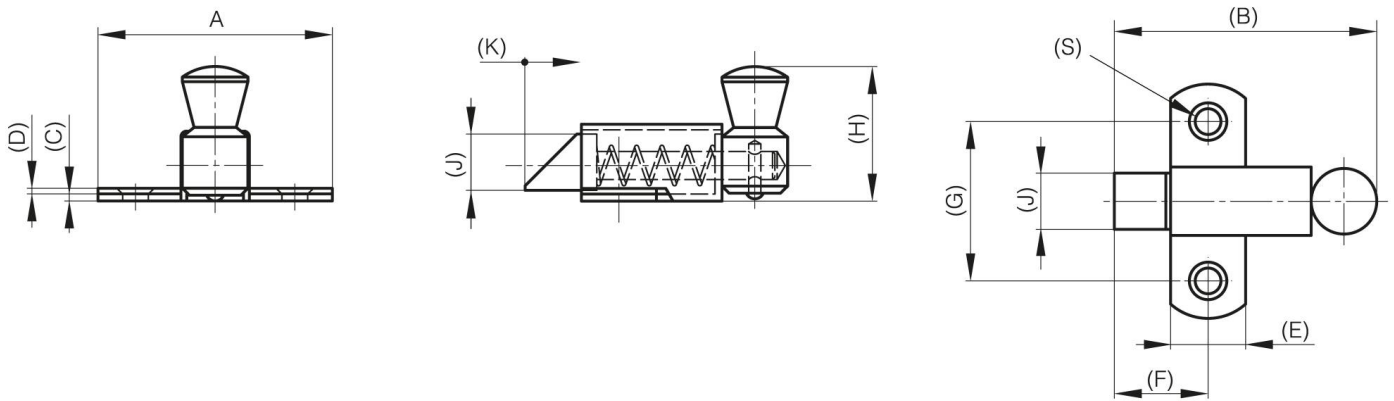
VISIBLE SPRINGLOADED LATCHES - BOLT "NOSE-DOWN"

16-1-3433

Slam latches.

A	50 mm
Material	steel

Weight (g)	71 g
B	56 mm
C	1.5 mm
S (hole diameter)	5.5 mm
E (knuckle or thickness)	16 mm
D (pin diameter)	1.2
F (pitch)	20 mm
G (pitch)	34 mm
H (height or starting holes)	29 mm
Finish	zinc plated
J	12 mm



K	12 mm
----------	-------