



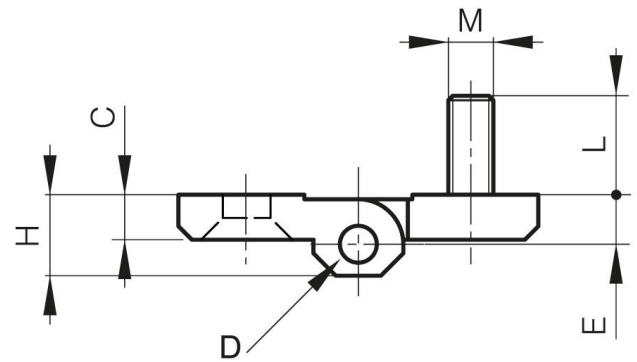
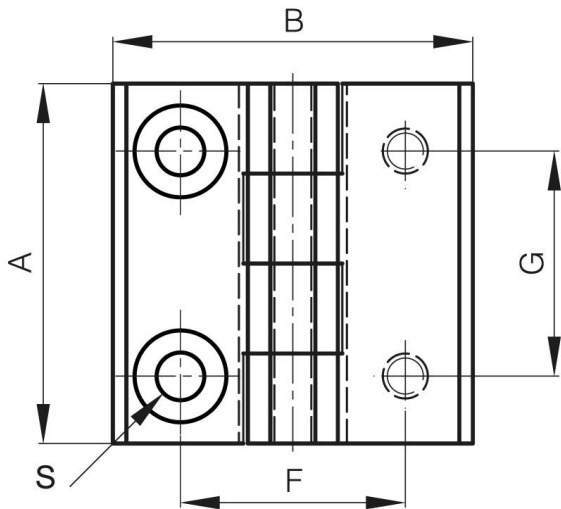
## **POLYAMIDE HINGES COMBINED STUDS AND HOLES**

**54-1-3033**

Hinges are made of 30% GF polyamide, pins are in 304 stainless steel.

<b>A</b>	40 mm
<b>Material</b>	polyamide

<b>Weight (g)</b>	50 g
<b>B</b>	40 mm
<b>C</b>	5 mm
<b>S (hole diameter)</b>	5.3 mm
<b>E (knuckle or thickness)</b>	5.5 mm
<b>D (pin diameter)</b>	4
<b>F (pitch)</b>	25 mm
<b>G (pitch)</b>	25 mm
<b>H (height or starting holes)</b>	9 mm
<b>Finish</b>	black
<b>L</b>	11 mm



<b>M</b>	M5 mm
----------	-------