



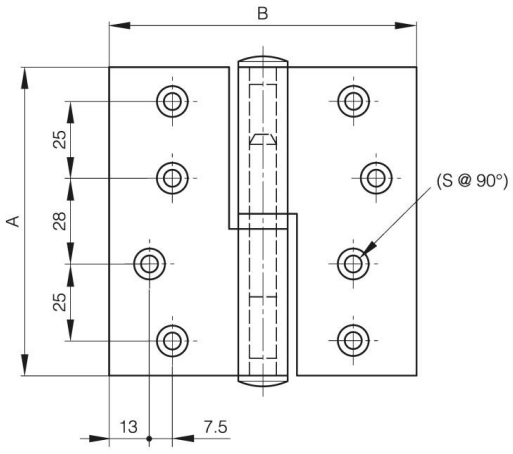
## **ALUMINIUM LIFT-OFF HINGES 100 X 100 MM**

**14-7-3628**

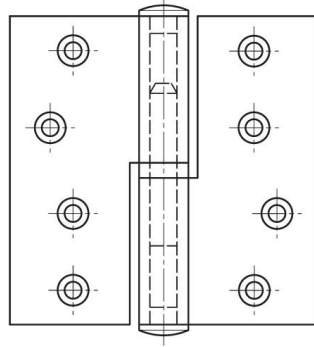
Zinc plated steel pin.

Nylon bushing.

A (length)	100 mm
Note	type 1
Material	aluminium
Weight (g)	106 g
B (width)	100 mm
C	4 mm
S	6 mm
D (pin diameter)	9
Finish	anodised silver



14-7-3628



14-7-3629

