



## **CONCEALED SPRINGLOADED PIN HINGES B**

**12-1-3863**

Stainless steel spring.

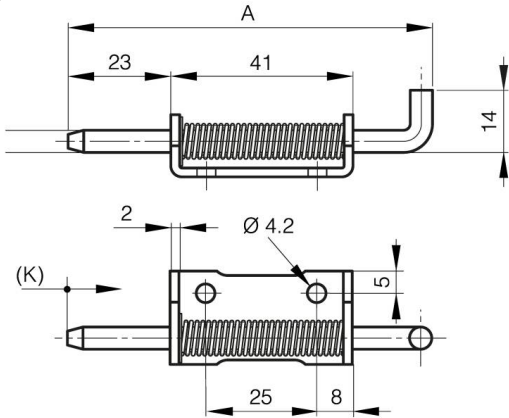
Zinc plated pin for hinges in raw steel and zinc plated steel.

304 stainless steel pin for hinges in stainless steel.

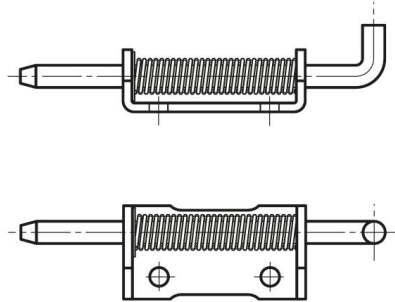
Circlip in 1.4122 stainless steel.

<b>A</b>	82 mm
----------	-------

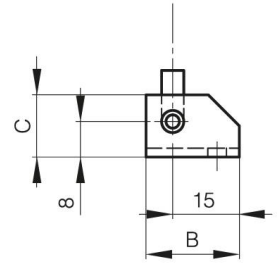
<b>Note</b>	type 1
<b>Material</b>	304 stainless steel
<b>Weight (g)</b>	39 g
<b>B</b>	21 mm
<b>C</b>	14 mm
<b>D (pin diameter)</b>	5
<b>Finish</b>	raw



12-1-3951 & 12-1-3861 & 12-1-3863



12-1-3950 & 12-1-3860 & 12-1-3862



<b>K</b>	12 mm
----------	-------