

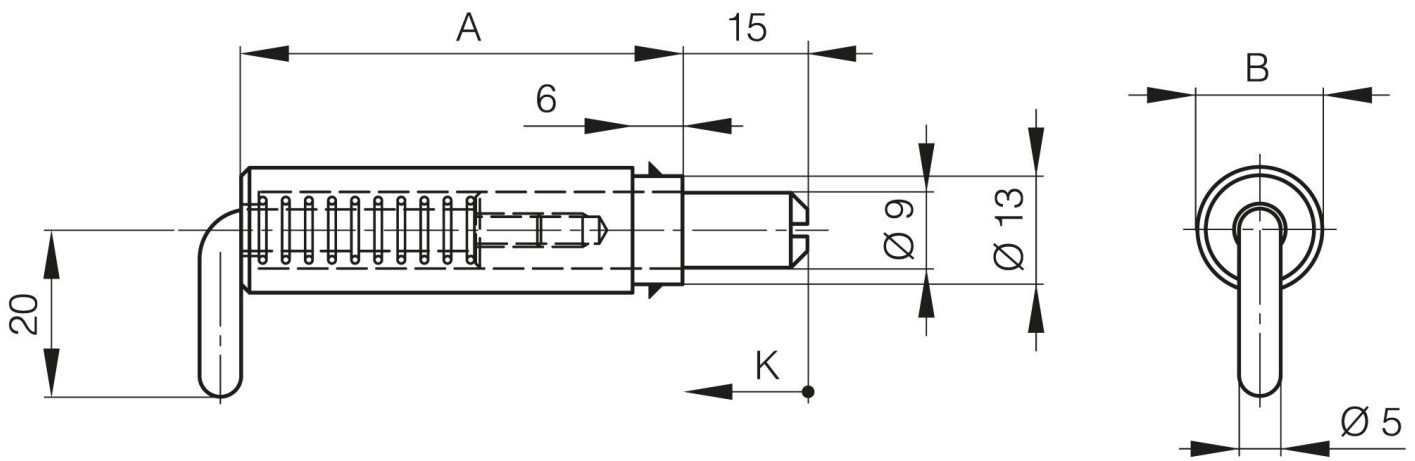


CONCEALED WELD-ON SPRINGLOADED PIN HINGE

85-7-1030

A	53 mm
Material	steel
Weight (g)	70 g

B	15 mm
Finish	raw



K	15 mm
----------	-------