



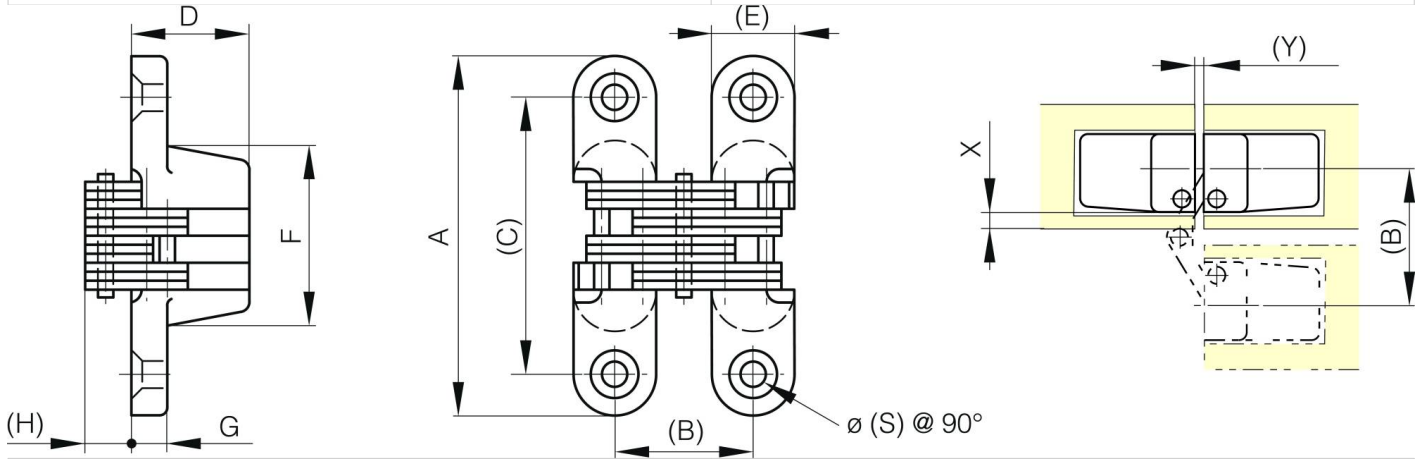
MULTI LINK CONCEALED HINGES - 180° OPENING

70-7-3543

Links and pins: 303 and 304 stainless steel or steel.

A	100 mm
Material	zinc die-cast

Weight (g)	350 g
B	33.2 mm
C	80 mm
S (hole diameter)	5.3 mm
E (knuckle or thickness)	20 mm
D (pin diameter)	27.5
F (pitch)	52 mm
G (pitch)	9.5 mm
H (height or starting holes)	9.5 mm
Finish	chrome plated satin



X (dimension for concealed hinge 180°)	? 4.8 mm
Y	1.8 mm