



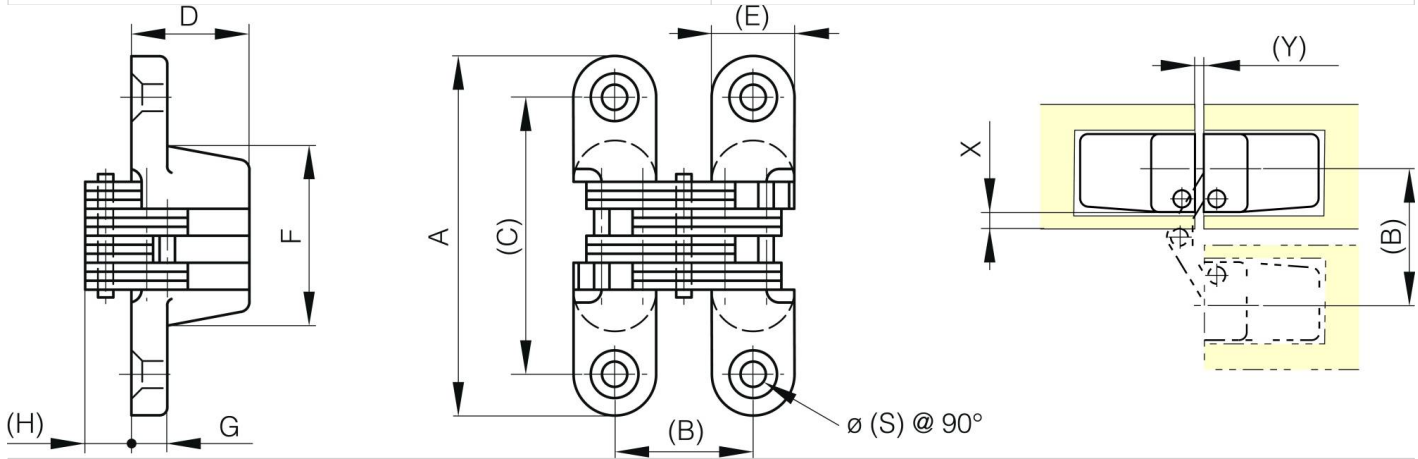
MULTI LINK CONCEALED HINGES - 180° OPENING

70-7-3541

Links and pins: 303 and 304 stainless steel or steel.

A	60 mm
Material	zinc die-cast

Weight (g)	103 g
B	22.2 mm
C	47 mm
S (hole diameter)	4.3 mm
E (knuckle or thickness)	13 mm
D (pin diameter)	18.5
F (pitch)	33 mm
G (pitch)	6.5 mm
H (height or starting holes)	6.5 mm
Finish	chrome plated satin



X (dimension for concealed hinge 180°)	? 3 mm
Y	1 mm