



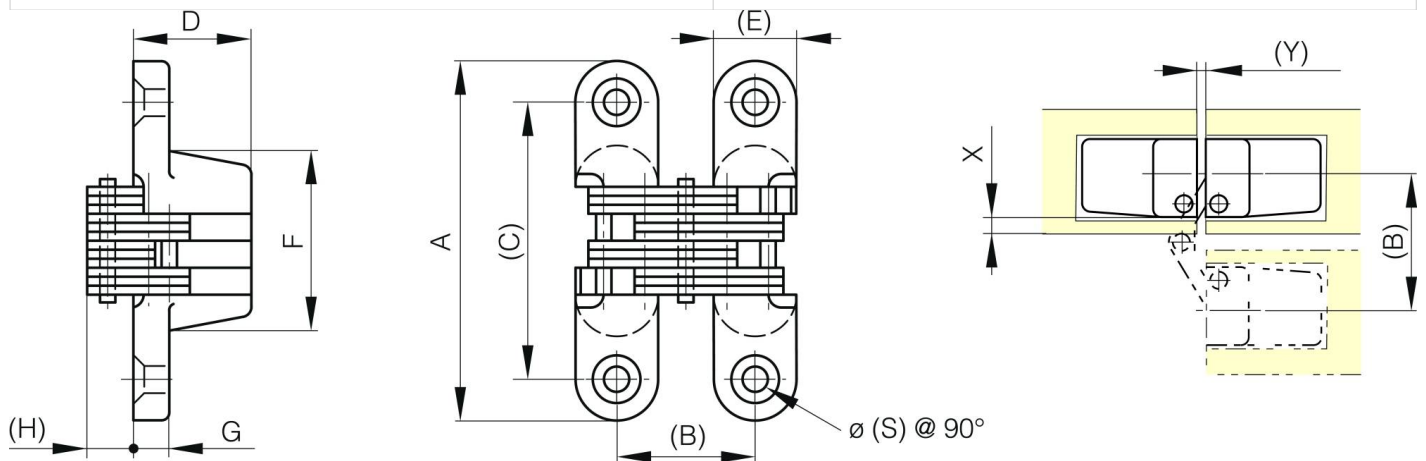
MULTI LINK CONCEALED HINGES - 180° OPENING

70-7-3540

Links and pins: 303 and 304 stainless steel or steel.

| | |
|-----------------|---------------|
| A | 45 mm |
| Material | zinc die-cast |

| | |
|-------------------------------------|---------------------|
| Weight (g) | 55 g |
| B | 22.7 mm |
| C | 32 mm |
| S (hole diameter) | 3.5 mm |
| E (knuckle or thickness) | 13 mm |
| D (pin diameter) | 18.5 |
| F (pitch) | 19 mm |
| G (pitch) | 5 mm |
| H (height or starting holes) | 6 mm |
| Finish | chrome plated satin |



| | |
|---|--------|
| X (dimension for concealed hinge 180°) | ? 3 mm |
| Y | 0.8 mm |